

AT2-5 INSTRUCTIONS FOR USE

Thank you for having chosen a LAE electronic product. Before installing the instrument, please read these instructions carefully to ensure maximum performance and safety.

DESCRIPTION



Fig.1 — Front panel

- Info / Setpoint button.
- Manual defrost / Decrease button.

INDICATIONS

- Thermostat output
- Fan output
- Auxiliary output
- Activation of 2nd parameter set
- Alarm

- Increase / manual activation button.
- Exit / Stand-by button.

INSTALLATION

- Insert the controller through a hole measuring 71x29 mm.
- Make sure that electrical connections comply with the paragraph "wiring diagrams". To reduce the effects of electromagnetic disturbance, keep the sensor and signal cables well separate from the power wires.
- Fix the controller to the panel by means of the suitable clips, by pressing gently; if fitted, check that the rubber gasket adheres to the panel perfectly, in order to prevent debris and moisture infiltration to the back of the instrument.
- Place the probe T1 inside the room in a point that truly represents the temperature of the stored product.
- Place the probe T2 on the evaporator where there is the maximum formation of frost.

OPERATION

DISPLAY

During normal operation, the display shows either the temperature measured or one of the following indications:

DEF Defrost in progress	HI Room high temperature alarm
REC Recovery after defrost	LO Room low temperature alarm
OFF Controller in stand-by	E1 Probe T1 failure
CL Condenser clean warning	E2 Probe T2 failure
DO Door open alarm	

INFO MENU

The information available in this menu is:

T1 Instant probe 1 temperature	TLO Minimum probe 1 temperature recorded
T2 Instant probe 2 temperature	CND Compressor working weeks
THI Maximum probe 1 temperature recorded	LOC Keypad state lock

Access to menu and information displayed.

- Press and immediately release button [I].
- With button [M] or [X] select the data to be displayed.
- Press button [I] to display value.
- To exit from the menu, press button [X] or wait for 10 seconds.

Reset of THI, TLO, CND recordings

- With button [M] or [X] select the data to be reset.
- Display the value with button [I].
- While keeping button [I] pressed, use button [X].

SETPOINT (display and modification of desired temperature value)

- Press button [I] for at least half second, to display the setpoint value.
- By keeping button [I] pressed, use button [M] or [X] to set the desired value (adjustment is within the minimum SPL and the maximum SPH limit).
- When button [I] is released, the new value is stored.

STAND-BY

Button [X], when pressed for 3 seconds, allows the controller to be put on a standby or output control to be resumed (with SB=YES only).

KEYPAD LOCK

The keypad lock avoids undesired, potentially dangerous operations, which might be attempted when the controllers is operating in a public place. In the INFO menu, set parameter LOC=YES to inhibit all functions of the buttons. To resume normal operation of keypad, adjust setting so that LOC=NO.

SELECTION OF SECOND PARAMETER GROUP

It's possible to select control parameters between two different pre-programmed groups, in order for the fundamental control parameters to be adapted quickly to changing needs. With IISM=MAN, changeover from Group I to Group II takes place manually by pressing button [M] for 2 seconds. The activation of Group II is signalled by the lighting up of the relevant LED on the controller display. If IISM=NON, switchover to group II is inhibited.

DEFROST

Timed defrost. Defrosting starts automatically when necessary time has elapsed to obtain the defrosting frequency set with DFR (IIDF). For example, with DFR=4 defrosting occurs once every 6 hours. The internal timer is set to zero when power is applied to the controller and at each subsequent defrost start. When the controller is put on a standby, the accumulated time count is "frozen" (is not incremented).

Manual defrost. Defrosting may also be induced manually by keeping the button [M] pressed for 2 seconds.

Defrost type. Once defrost has started, Compressor and Defrost outputs are controlled according to the parameters DTY and OAU. The AUX output is associated to defrost function with OAU=DEF exclusively. If FID=YES the evaporator fans are active all through defrost.

Defrost termination. Defrost lasts as long as time DTO but, if the evaporator probe has been enabled (T2=YES) and temperature DLI is achieved before this time elapses, defrost will be terminated in advance.

Resuming thermostatic cycle. When defrost is over, if DRN is greater than 0, all outputs will remain off for DRN minutes, in order for the ice to melt completely and the resulting water to drain. Moreover, if probe T2 is active (T2=YES), the fans will re-start when the evaporator gets to a temperature lower than FDD; Vice versa, if such condition does not occur after 4 minutes following defrost termination, the fans will be switched on anyway.

Caution: if C-H=HEA all defrost functions are inhibited; if DFR=0 the timed defrost function is excluded; during defrost, the high temperature alarm is inhibited.

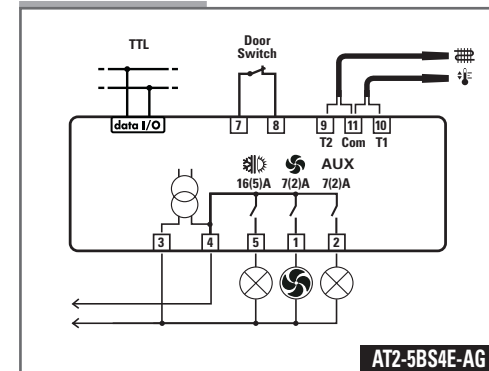
CONFIGURATION PARAMETERS

- The setup menu is accessed by pressing button [X]+[I] for 5 seconds.
- With button [M] or [X] select the parameter to be modified.
- Press button [I] to display the value.
- By keeping button [I] pressed, use button [M] or [X] to set the desired value.
- When button [I] is released, the newly programmed value is stored and the following parameter is displayed.
- To exit from the setup, press button [X] or wait for 30 seconds.

PAR	RANGE	DESCRIPTION
SCL	1°C; 2°C; °F	Readout scale. 1°C (only with INP=SN4): measuring range -50/-9.9... 19.9/80°C 2°C: measuring range -50... 120°C °F: measuring range -55... 240°F Caution: upon changing the SCL value, it is then absolutely necessary to reconfigure the parameters relevant to the absolute and relative temperatures (SPL, SPH, SP, ALA, AHA, etc..)
SPL	-50..SPH	Minimum limit for SP setting
SPH	SPL..120°	Maximum limit for SP setting
SP	SPL... SPH	Setpoint (value to be maintained in the room).
C-H	REF; HEA	Refrigerating (REF) or Heating (HEA) control mode
HYS	1...10°	OFF/ON thermostat differential Refrigerating control (C-H=REF) Heating control (C-H=HEA)
CRT	0...30min	Compressor rest time. The output is switched on again after CRT minutes have elapsed since the previous switchover. We recommend to set CRT=03 with HYS<2.0°.
CT1	0...30min	Thermostat output run when probe T1 is faulty. With CT1=0 the output will always remain OFF.
CT2	0...30min	Thermostat output stop when probe T1 is faulty. With CT2=0 and CT1>0 the output will always be ON. Example: CT1=4, CT2= 6: In case of probe T1 failure, the compressor will cycle 4 minutes ON and 6 minutes OFF.
CSD	0...30min	Compressor stop delay after the door has been opened (active only if DS=YES).
DFR	0...24(1/24h)	Defrost frequency expressed in cycles/24 hours.
DLI	-50...120°	Defrost end temperature.
DTO	1...120min	Maximum defrost duration.
DTY	OFF; ELE; GAS	Defrost type OFF: off cycle defrost (Compressor and Heater OFF). ELE: electric defrost* (Compressor OFF and Heater ON). GAS: hot gas defrost* (Compressor and Heater ON). * The defrost output is active if only OAU=DEF.
DRN	0...30min	Pause after defrost (evaporator drain down time).
DDY	0...60min	Display during defrost. If DDY=0 during defrost the temperature continues to be displayed. If DDY > 0, during defrost the display shows DEF, and at the end of defrost it shows REC for DDY minutes.
FID	NO/YES	Fans active during defrost.
FDD	-50...120°	Evaporator fan re-start temperature after defrost.
FTC	NO/YES	Optimised fan control enabling. With FTC = NO the fans remain on all the time Fig. 2 Optimised fan control (FTC=YES)
FT1	0...180sec	Fan stop delay after compressor stop. See Fig. 2.
FT2	0...30min	Timed fan stop. With FT2=0 the fans remain on all the time.
FT3	0...30min	Timed fan run. With FT3=0, and FT2 > 0, the fans remain off all the time.
ATM	NON; ABS; REL	Alarm threshold management. NON: all temperature alarms are inhibited (the following parameter will be ADO). ABS: the values programmed in ALA and AHA represent the real alarm thresholds. REL: the values programmed in ALR and AHR are alarm differentials referred to SP and SP+HY. Temperature alarm with relative thresholds, refrigerating control (ATM=REL, C-H=REF). Temperature alarm with relative thresholds, heating control (ATM=REL, C-H=HEA).

ALA	-50... 120°	Low temperature alarm threshold.
AHA	-50... 120°	High temperature alarm threshold.
ALR	-12... 0°	Low temperature alarm differential. With ALR=0 the low temperature alarm is excluded.
AHR	0... 12°	High temperature alarm differential. With AHR=0 the high temperature alarm is excluded.
ATD	0... 120min	Delay before alarm temperature warning.
ADO	0...30min	Delay before door open alarm warning.
ACC	0...52 weeks	Condenser periodic cleaning. When the compressor operation time, expressed in weeks, matches the ACC value programmed, "CL" flashes in the display. With ACC=0 the condenser cleaning warning is disabled.
IISM	NON; MAN;	Switchover mode to second parameter set NON: inhibition to use the second parameter group (the following parameter will be SB). MAN: button [M] switches the two parameter groups over.
IISL	-50...IISH	Minimum limit for IISP setting.
IISH	IISL...120°C	Maximum limit for IISP setting.
IISP	IISL... IISH	Setpoint in mode 2
IHY	1...10°	OFF/ON differential in mode 2.
IIFT	NO/YES	Optimised fan control enabling in mode 2.
IIDF	0...99hours	Defrost timer set to start a defrost in mode 2.
SB	NO/YES	Stand-by button enabling [X].
DS	NO/YES	Door switch input enabling (closed when door is closed).
LSM	NON; MAN; DOR	Light control mode NON: light output not controlled. MAN: light output controlled through button [M] (if OAU=LGT). DOR: light output switched on when door is opened (if OAU=LGT).
OAU	NON; 0-1; DEF; LGT; AL0; AL1	AUX output operation. NON: output disabled (always off). 0-1: the relay contacts follow the on/standby state of controller. DEF: output programmed for defrost control. LGT: output enabled for light control. AL0: contacts open when an alarm condition occurs. AL1: contacts make when an alarm condition occurs.
INP	SN4; ST1	Temperature sensor selection. With INP = SN4, the probes must be the LAE models SN4...; with INP = ST1, the probes must be the LAE models ST1...
OS1	-12.5...12.5°C	Probe T1 offset.
T2	NO/YES	Probe T2 enabling (evaporator).
OS2	-12.5...12.5°C	Probe T2 offset.
TLD	1...30 min	Delay for minimum temperature (TLO) and maximum temperature (THI) logging.
SIM	0...100	Display slowdown.
ADR	1...255	AT2-5 address for PC communication.

WIRING DIAGRAM



TECHNICAL DATA

Power supply
AT2-5...E 230Vac±10%, 50/60Hz, 3W
AT2-5...U 115Vac±10%, 50/60Hz, 3W
AT2-5...D 12Vac/dc±10%, 3W

Relay outputs
AT2-5.Q... Compressor 12(5)A 240vac
AT2-5.S... Compressor 16(5)A 240vac
Evaporator fans 7(2)A 240vac
Auxiliary loads 7(2)A 240vac

AT2-5.Q... maximum total current 12A
AT2-5.S... maximum total current 16A

Inputs
NTC 10KΩ@25°C, LAE part No. SN4...
PTC 1000Ω@25°C, LAE part No. ST1...

Measurement Range
-50...120°C, -55...240°F
-50/-9.9... 19.9/80°C (NTC10K only)

Measurement accuracy
<0.5°C within the measurement range

Operating conditions
-10...+50°C; 15%...80% r.H.

CE - UL (Approvals and Reference Norms)
EN60730-1; EN60730-2-9;
EN55022 (Class B);
EN50082-1
UL 60730-1A

Front protection
IP55